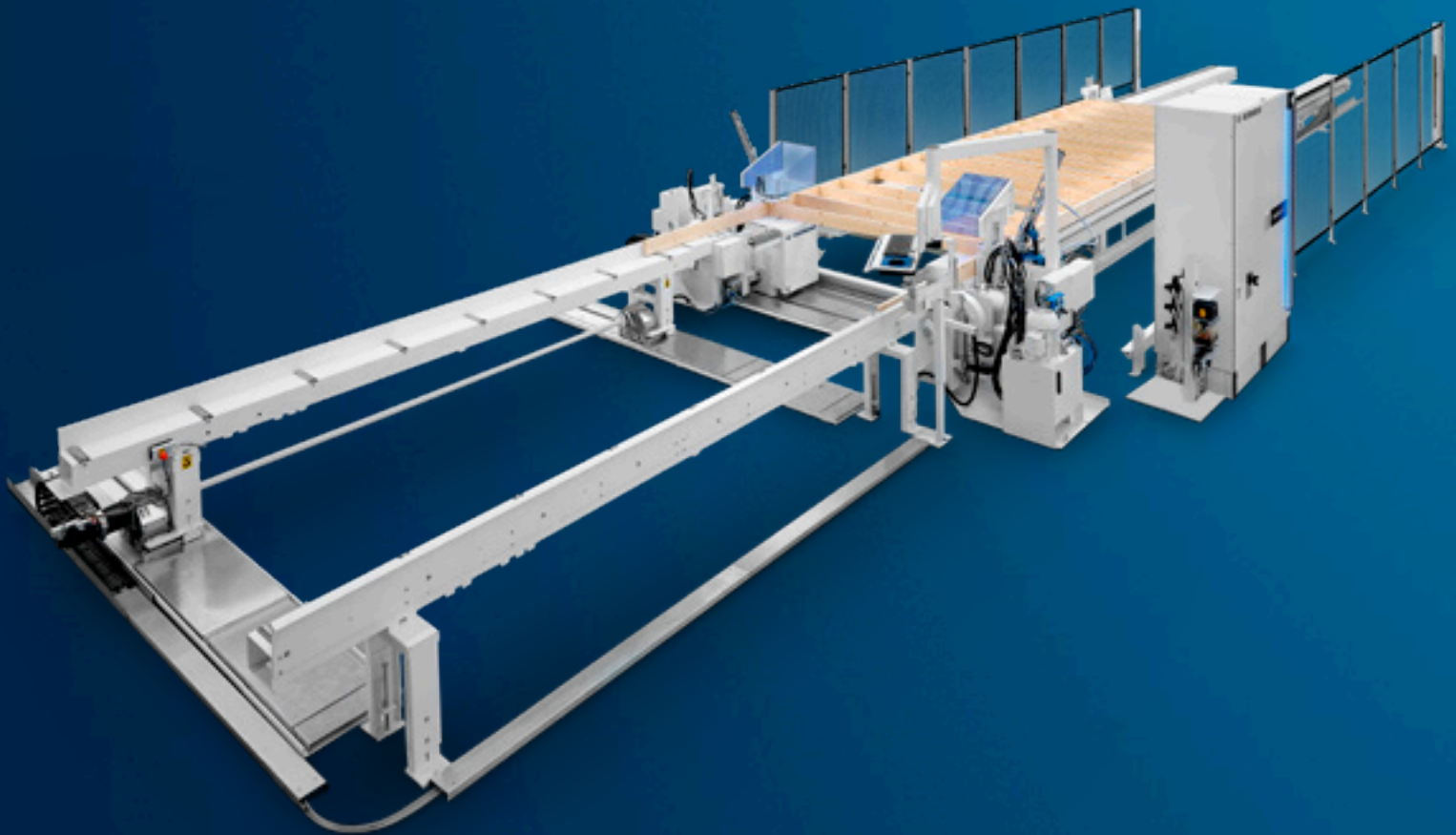


Specialist for frame works.

Our frame work stations and combi wall systems

FRAMETEQ F-300/500/700







FRAMETEQ – Customized production

The FRAMETEQ series sets new standards when creating frame works in wood frame constructions. Standard frame works as well as complex constructions can be manufactured quickly and easily. The machines offer a high level of flexibility for manufacturing and enable efficient production in batch size 1. The machines can be integrated in production lines to provide a wide range of applications and high levels of performance.

YOUR SOLUTION

[MORE INFORMATION AVAILABLE AT HOMAG.COM/WEINMANN](https://www.homag.com/weinmann)



CONTENTS

06	FRAMETEQ F-300/500/700 standard features
08	FRAMETEQ F-300
10	FRAMETEQ F-500
12	FRAMETEQ F-700
16	Options for FRAMETEQ F-300/500/700
18	Automation
20	Technical data
22	Software
25	powerTouch2
26	Life Cycle Services

Frame work production – precise, simple and versatile

The FRAMETEQ series guarantees precision and safety in the manufacture of frame works for wall and gable elements. The latest CNC technology is used to clamp and attach the plates and studs, ensuring consistently high quality. You benefit from highly flexible and efficient wall production.



Consistently high precision

- NC-controlled stopper system guarantees a high level of dimensional accuracy
- Exact stud distance due to NC-controlled outfeed gripper
- Versatile fastening options as well as customized nail patterns thanks to CNC axes

Safe and ergonomic

- Comprehensive safety features
- Clear and easy operation by a single person
- Ideal processing height and swiveling control panel that can be positioned flexibly

Highly flexible use

- Individual production in batch size 1
- Can be expanded at any time thanks to modular design
- Ideally suited to wall and gable elements in wood frame construction, as well as wall, base and floor elements in modular construction

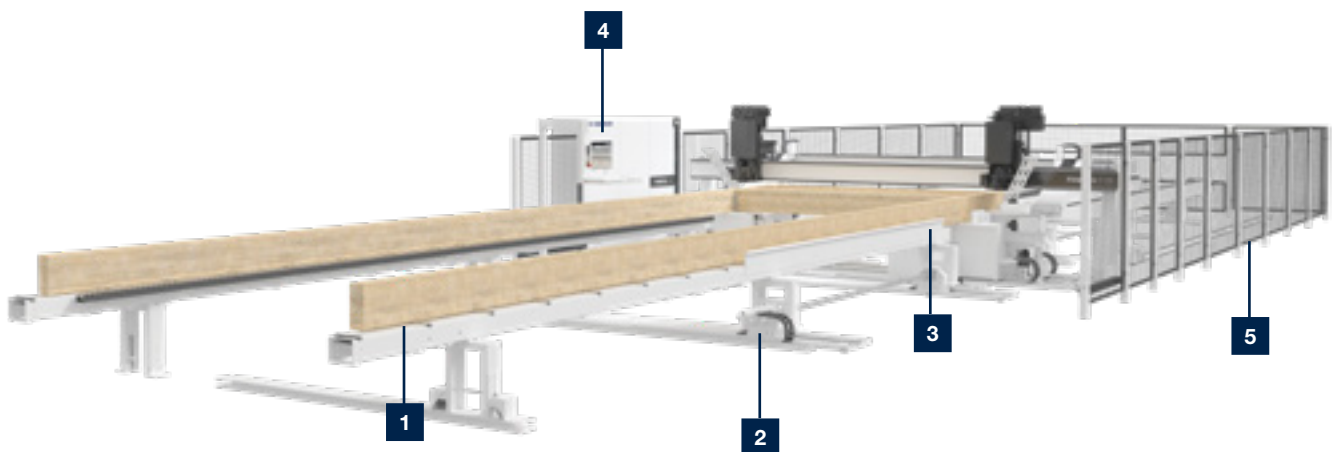
The right machine for your needs

The FRAMETEQ range is made up of two different series with four different types of machines. Depending on the product range, performance requirements and space available, you can choose between frame work stations and combi wall systems.

FRAMETEQ F-300/500/700

Frame work stations

- | | |
|------------------------------|--|
| 1 Infeed roller track | 4 Operating system |
| 2 Width adjustment | 5 Outfeed side with safety technology |
| 3 Stopper system | |



FRAMETEQ F-300/500/700 frame work stations

Automate your entire frame works with frame work stations. The machine accepts the data record created in CAD. This data is then used to set the element width on the machine. The top and bottom plates are fed over a roller track, positioned at the stops and clamped. The studs are then placed into the frame work station and also positioned, clamped and nailed on horizontally. The outfeed gripper pulls the frame work into the next position and the procedure is repeated until the entire frame work is completed. The processes are carried out with different levels of automation depending on the machine type.

FRAMETEQ F-300/500/700 frame work stations – The right solution for your requirements

You can find the right type of machine in this series to suit the capacity you need. Three different types of frame work station are available, which vary in terms of the degree of automation and possible performance. From the economical entry-level variant to the standard model and the integrated high-performance system, we offer a variety of solutions – adapted to your requirements.



	FRAMETEQ F-300	FRAMETEQ F-500	FRAMETEQ F-700
	Frame works produced with ease	Automated and high-performance	Complex frame works – individually produced
NC axes for nailing devices	Can be moved pneumatically	Automatically by servo motors	
Width adjustment	Manual	Automatic	
Automatic outfeed	–	✓	
Performance	0.4–0.6 m/min	0.8–1.5 m/min	0.5–1.0 m/min
Capacity (per year/shift)	Approx. 100 houses	Approx. 800 houses	Approx. 500 houses

Versatile standard feature for practical use

Precision and safety – even with the standard features for frame work stations. CNC technology, high-quality design and state-of-the-art operating options form the basis for all machines in the FRAMETEQ F-300/500/700 series.



Infeed roller track

Manual placement of top and bottom plates via loose, non-driven rollers.



NC-controlled stopper system

Specification of the placement positions of individual studs, as well as fully automatic clamping and connection of frame work. The frame work remains clamped even while the plates and studs are connected.



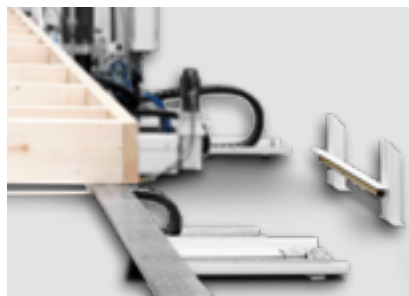
NC-controlled outfeed gripper

Exact stud distances: the frame work is automatically fed to the respective placement positions.



Convenient operating system

- Clear screen display and intuitive powerTouch user interface for easy operation
- Integrated data flow thanks to fully automatic data transfer from all common CAD programs
- tapio-ready: all the processes in the value chain combined into a single digital platform



Comprehensive safety system

- High level of work safety thanks to protected working area with the highest safety standards
- Light barriers, protective fences, as well as various protective devices on the fastening units

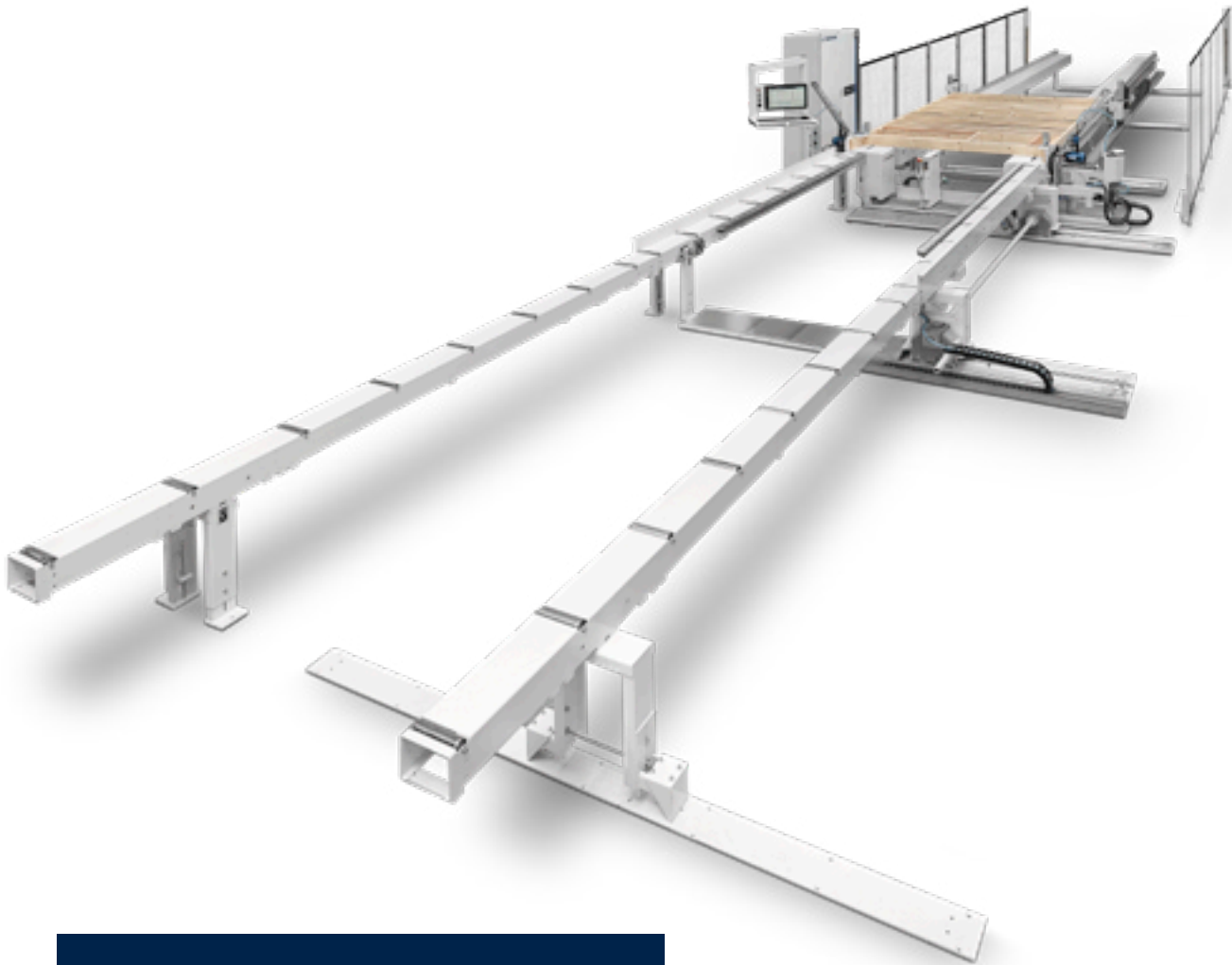


Uninterrupted power supply

Safeguarding of the control computer and controlled shutdown in case of power failure.

Frame work station FRAMETEQ F-300 – Frame work simply produced

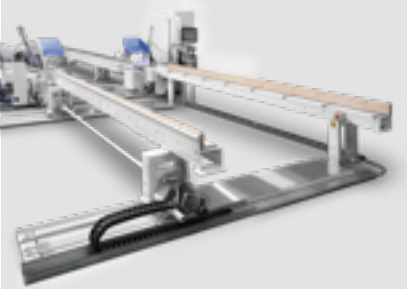
The WEINMANN FRAMETEQ F-300 offers you the perfect start into automatic framework. The distances between the studs are automatically preset, so the operator only has to insert the plates and studs at the appropriate position. The plates and studs are then fastened automatically. The FRAMETEQ F-300 framing station is suitable for companies with a production capacity of approx. 80 houses per year or more.



Highlights

- Entry-level solution for automated frame work production
- High levels of quality thanks to automated positioning and attachment of studs
- Modular expansions available

Standard features



Manual width adjustment

Infinitely variable adjustment of different wall heights.



Fastening units can be moved pneumatically

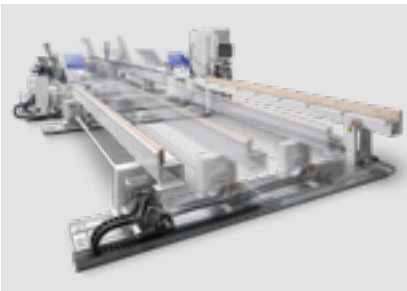
The attachment is performed using two positions that are adopted automatically. If necessary, the respective end positions can be changed manually.



Outfeed-side small roller conveyor

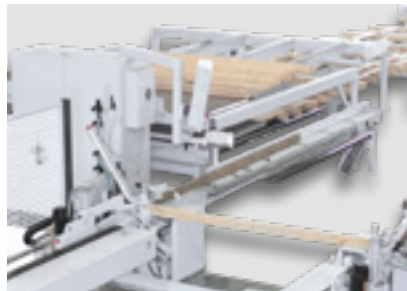
Automatic outfeed transport of elements to next workstation.

Options



Automatic width adjustment

The infeed roller track, outfeed gripper and the stopper system are automatically adjusted to the respective wall height based on the data records. There is minimal setup time even with different dimensions.



Provision of multi-beams

Storage and provision of special studs such as multi-, L-, U- or other combinations. The operator removes the studs and places them directly in the frame work.



Stud positioning

The manually loaded studs are positioned automatically with the aid of bolts and stops. This ensures a consistently high quality and makes the work process considerably more efficient.

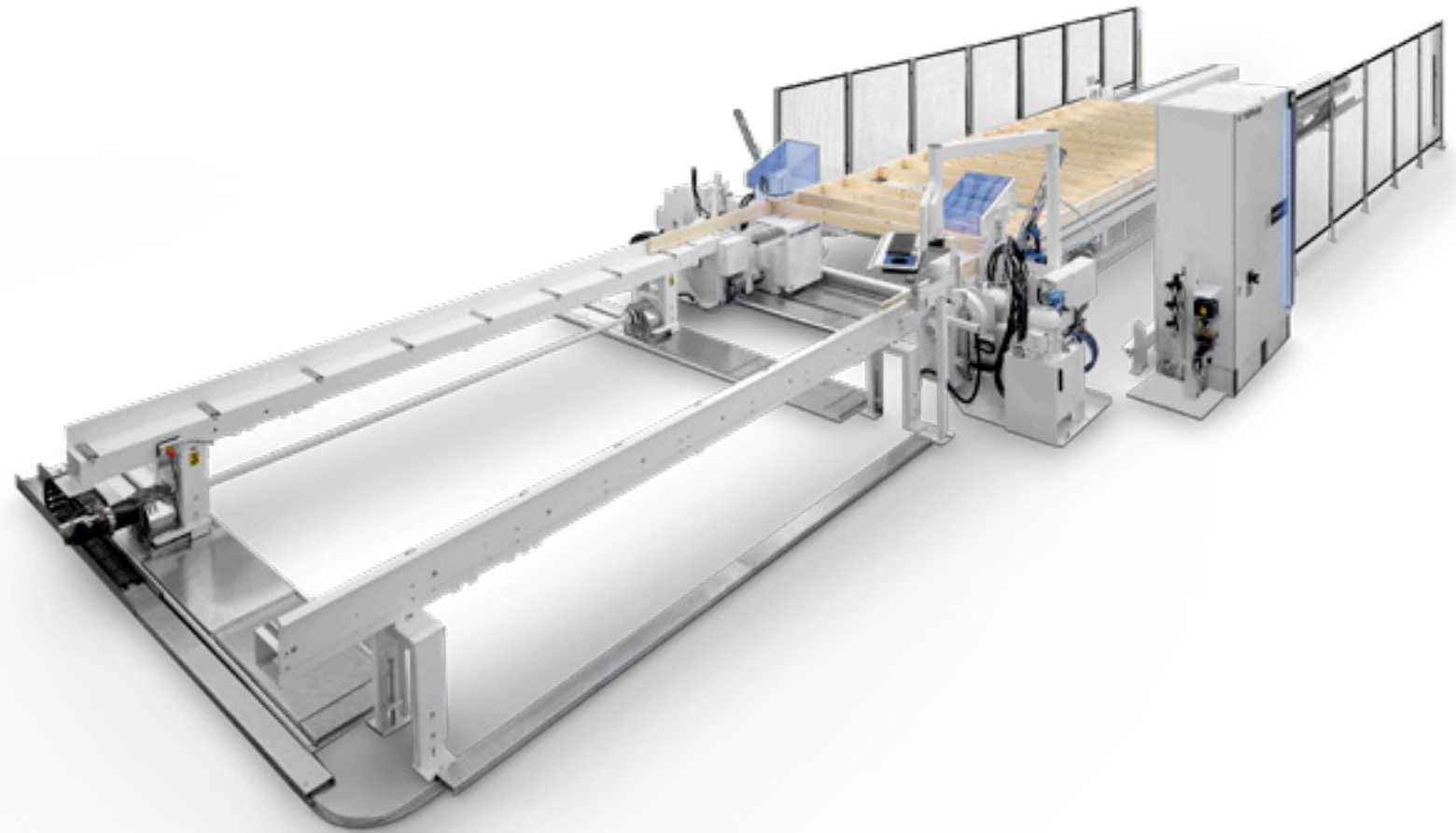


NC-controlled vertical traversing axes for fastening units

The variably positionable fastening devices create a wide variety of nail patterns. This facilitates the fastening of, for example, multi-beams, L-, U- and T-studs as well as the production of window and door modules. The height of the nailing devices is thereby automatically adapted to different element thicknesses.

FRAMETEQ F-500 frame work station – Automated and high-performance

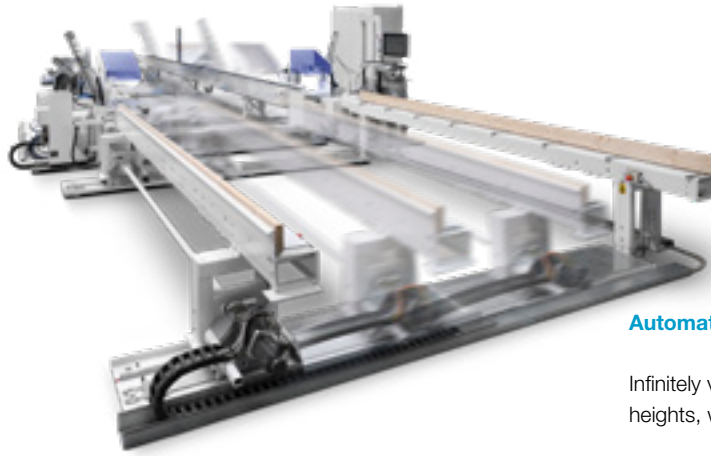
In addition to the automated clamping and connection of studs and plates, this version also offers automated adjustment for different wall heights and automated outfeed transport. Once the data record has been read in, the element width is set automatically for the stopper system and the outfeed gripper. In addition, the manually loaded studs are positioned, clamped and attached automatically. The FRAMETEQ F-500 optimizes your production of standard walls and gable elements and makes your manufacturing processes highly efficient.



Highlights

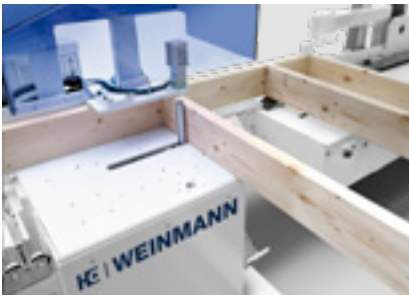
- Output of up to 800 houses/year
- Minimal setup times, even for different wall heights
- Consistently high quality thanks to automated processes

Standard features



Automatic width adjustment

Infinitely variable adjustment of different wall heights, with minimal setup times.



Stud positioning

Automatic positioning of the manually loaded studs with the aid of bolts and stops leads to consistently high quality and efficient work processes.



NC-controlled vertical traversing axes for fastening units

Automatic adaptation to different element thicknesses.



Automatic outfeed

The frame works are transported to the next workstation via hinged slat conveyors.

Options



Offset stud installation

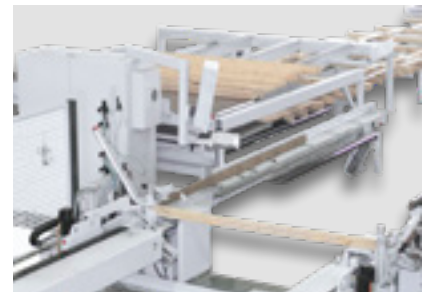
- Positioning of studs flush to the top and bottom edges of the upper plates
- Minimum distance between two consecutive studs is 30 mm



Drilling unit

Production of drill holes, for example for electrical installation or suspension points.

- Optional 1–2 drilling units for top and bottom plate
- Stepped drills can be used for drilling holes in various sizes

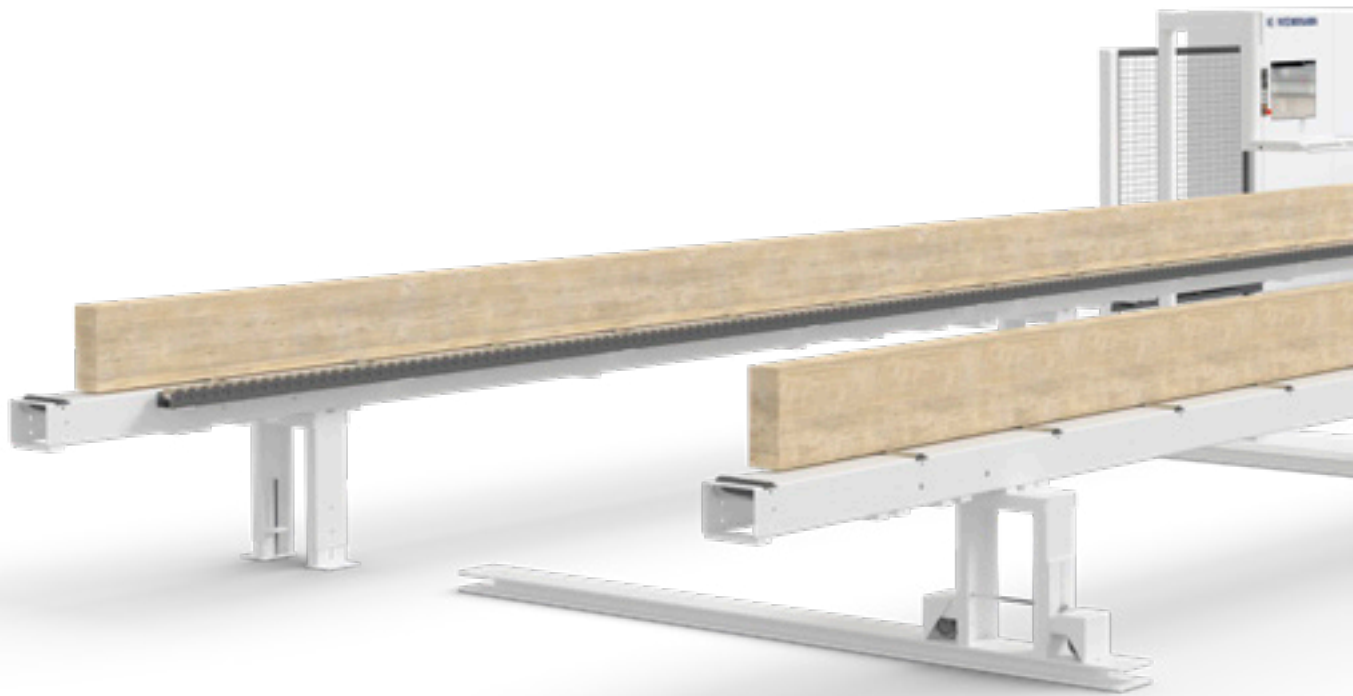


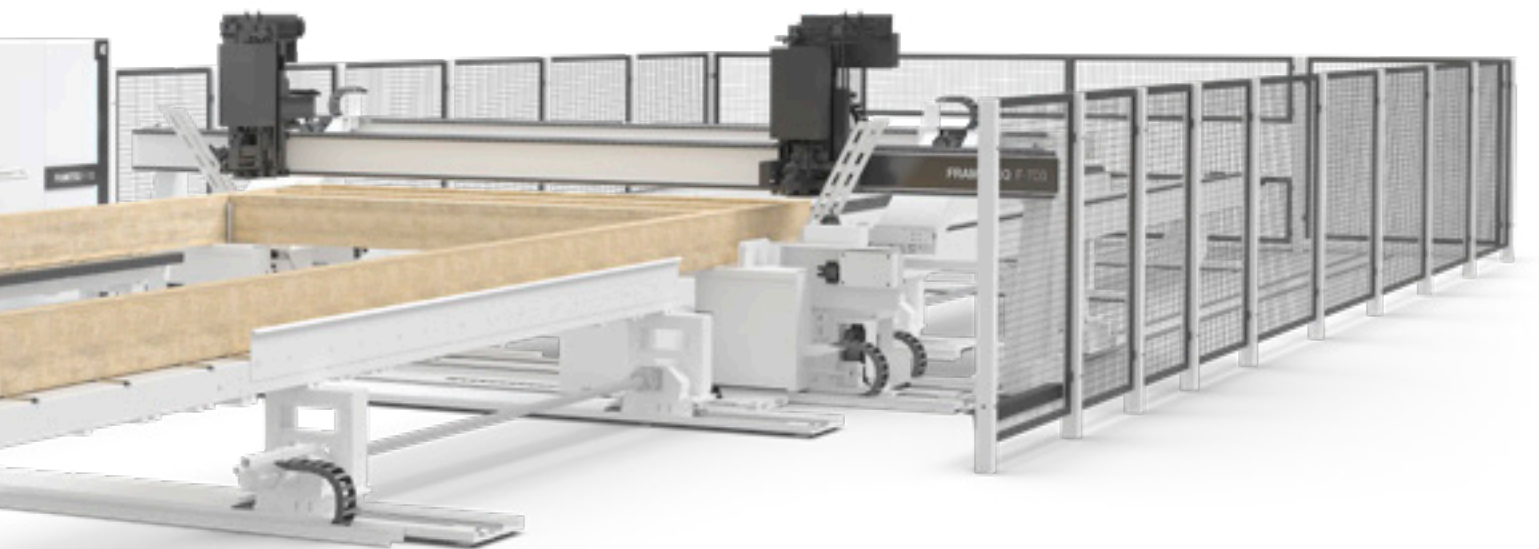
Provision of multi-beams

Storage and provision of special studs such as multi-, L-, U- or other combinations. The operator removes the studs and places them directly in the frame work.

FRAMETEQ F-700 frame work station – Complex frame works, individually produced

The FRAMETEQ F-700 enables fully automated production of a wide variety of frame works. A wide range of studs, for example for gable slopes or spandrels are placed at a wide range of angles with the aid of the special outfeed gripper. Complex and demanding frame works are produced significantly more quickly with the FRAMETEQ F-700.

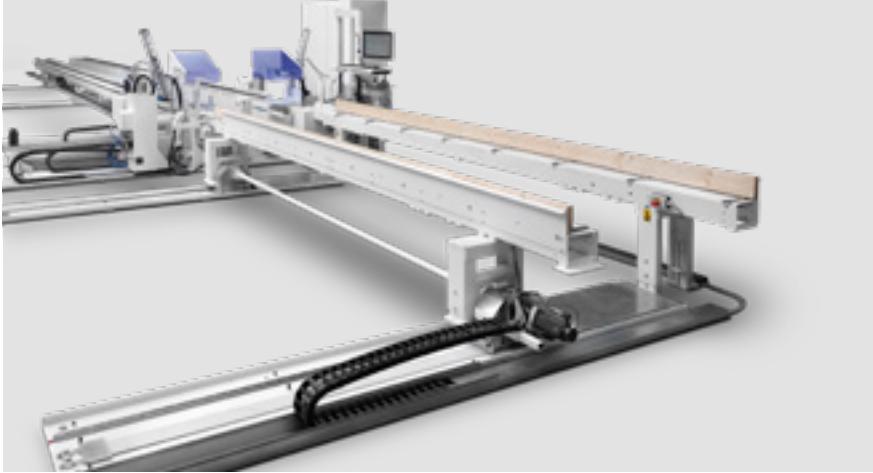




Highlights

- Efficient production of complex frame works
- Customized production in batch size 1
- Fully automated processes

Standard features



Automatic width adjustment

Infinitely variable adjustment of different wall heights, with minimal setup times.



Stud positioning

Automatic positioning of the manually loaded studs with the aid of bolts and stops leads to consistently high quality and efficient work processes.



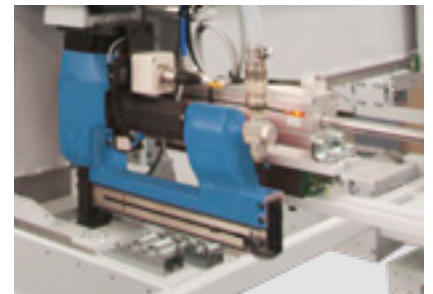
NC-controlled outfeed gripper

The outfeed gripper is guided on the base and grips the studs from the outside. This enables a wide range of timbers, for example for gable slopes, to be positioned automatically.



Automatic outfeed

The frame works are transported to the next workstation via hinged slat conveyors.



Four NC axes for corrugated nailer

Two corrugated nailers on the top and bottom plates respectively connect plates and studs as well as spandrel beams and studs.

- Parallel movement over the entire element width
- Rotatable chucks: 0/90°

Options



NC-controlled vertical traversing axes for fastening units

Automatic adaptation to different element thicknesses.



NC-controlled clamping system for longitudinal studs

- Precise alignment and clamping of longitudinal studs
- Inserting, clamping and connecting of spandrel beams and lintel beams for windows and doors



NC-controlled clamping system for gable and longitudinal studs

- Inserting, clamping and connecting of angled plates
- Production of gable elements, as well as doors and windows



Drilling unit

Production of drill holes, for example for electrical installation or suspension points.

- Optional 1–2 drilling units for top and bottom plate
- Stepped drills can be used for drilling holes in various sizes

Additional options for FRAMETEQ F-300/500



Support table for longitudinal studs and gables

Enables the convenient installation of lintel and spandrel beams as well as the production of gables. The insert table is available in two different versions:

- Manually movable insert table on linear guides for the manual installation of the longitudinal studs
- NC-controlled positioning of the insert table with two integrated fastening devices



Nail plate press

Connection of top or bottom plates that are too short, in order to produce frame works in the required length.

- Manual actuation of the pressing process
- Two-stage high-performance hydraulic unit
- Optimization software ensures that the connections do not coincide with processing. There are no pressings in the area of modules, spandrels and lintels.
- Consideration of the required wood lengths via an unprocessed-part database ensures optimized wood consumption



Snipping saw unit

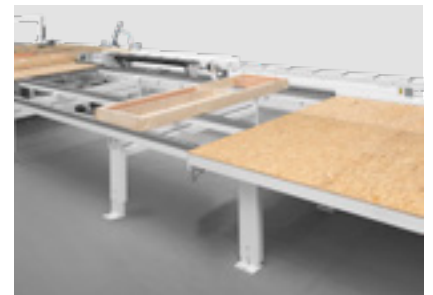
Plates are automatically cut to the respective element length of the frame work and multiwalls are split into individual segments with the aid of partial sawing. The plates are clamped pneumatically throughout the sawing procedure.

Additional options for FRAMETEQ F-300/500/700



Units for manufacturing elements with modules

- Module transport route: Small roller conveyor for transporting modules, either manually or automatically
- Module table: Additional table for the manual production of window and door modules
- Module support: Liftable rollers simplify the installation of prefabricated window and door modules. The operator feeds the modules over the rollers to the infeed. This means that even heavy modules are installed quickly and easily, without the operator having to carry the heavy weight themselves.



Modules for the switch cabinet

- Heating unit
- Cooling unit



Installation of fastening units

- Marking unit for applying marks on the plate, for example, the positions of the panel layers
- Labeling unit for applying labels on the plate or on the studs, for example on production units



Stud provision

The stud packages are placed on a sturdy steel table by a forklift truck. The operator removes the studs from there and manually feeds them to the frame work station.

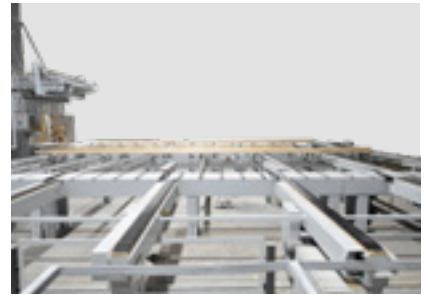
Efficient production solutions for material handling

WEINMANN handling systems offer fully automatic solutions for complete material logistics for frame work production. Heavy manual work is eliminated – thus improving the work ergonomics and creating attractive jobs. The continuous material flow increases efficiency throughout the production process.



Simplified infeed of top and bottom plates

The top and bottom plates are fed to the frame work station fully automatically. This can be done either via cross conveyors, linear gantries or driven roller tracks.



Fully automatic stud infeed with STORETEQ H-100 handling portal

The STORETEQ H-100 removes the studs from material storage and makes them available to the frame work station via an additional pick-up point. From there, the studs are fed via roller conveyors directly to the frame work station.

- Additional buffer line
- Higher capacity due to additional pick-up point
- Stud infeed from several pick-up points
- Infeed of a wide variety of wood dimensions

FEEDBOT F-500 – Create frame works fully automatically



The six-axis robot places the various studs into the frame work fully automatically at a wide range of angles. Combined with a handling portal for standard beams and an additional storage space for special beams, the studs are provided at the appropriate positions. The robot removes the studs from there and places them in the frame work.

- Handles studs with lengths from 780–3500 mm and a weight of up to 75 kg
- Ideal stud placement using different placement procedures
- Robot accesses multiple pick-up points
- Installation of up to six parts per minute



In combination with the frame work station, the robot allows studs and plates for wall elements with windows and doors or special elements such as gables to be inserted fully automatically. Regardless of whether it's standard and special studs, the robot inserts a wide variety of beams into the frame work automatically and with high precision. In this process, the six-axis robot transports stud weights of up to 75 kg without any problems. The robot inserts the wood at a speed of up to six cycles per minute.

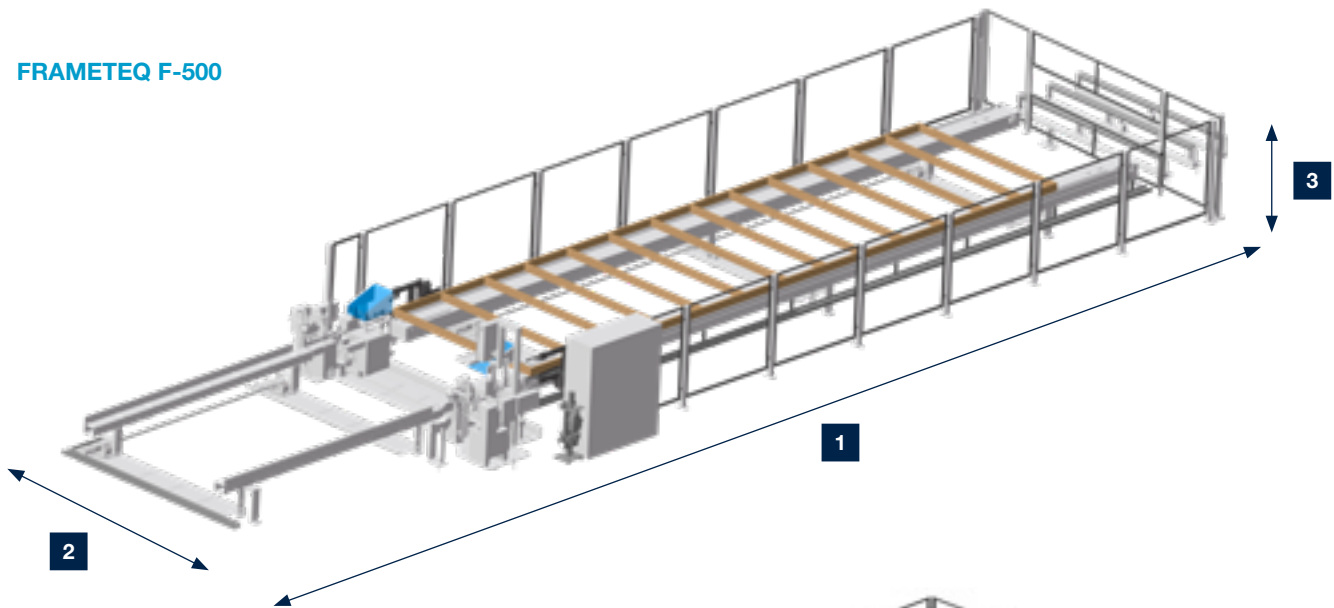
The highlights:

- High capacity thanks to automated production with high machine availability
- A wide range of production options: depending on the element, the studs are inserted transversely, longitudinally or diagonally
- Work ergonomically: significant reduction in the heavy physical work for employees
- More precision: the studs are inserted at a precise fit

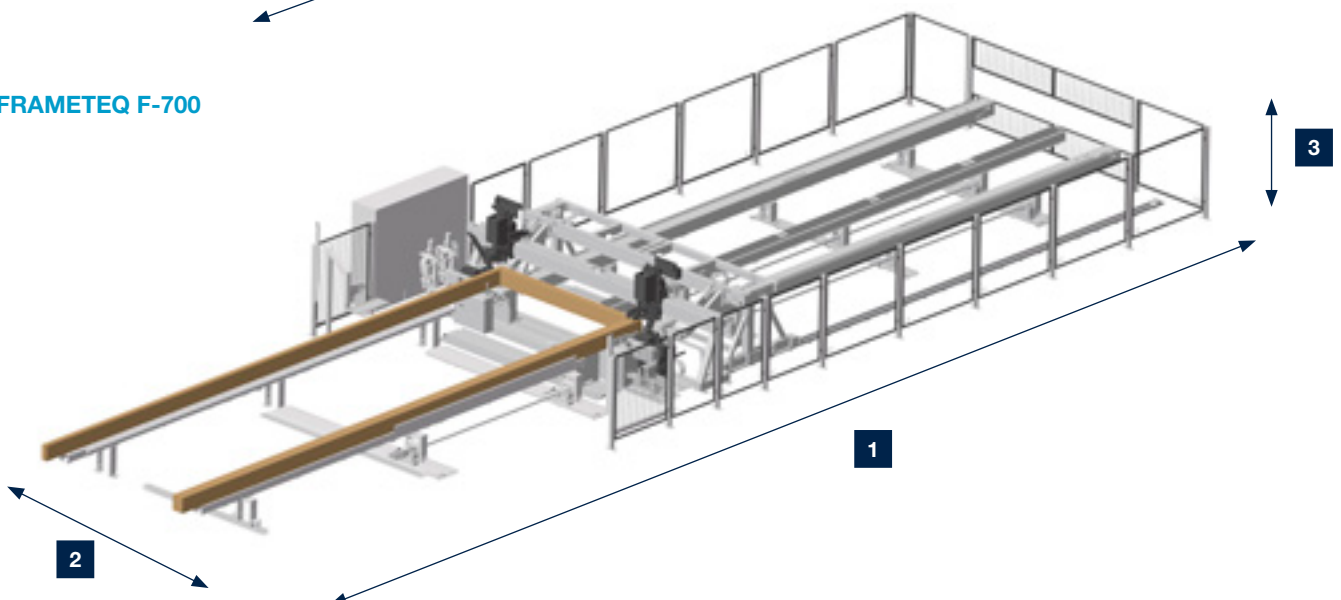
FRAMETEQ F-300/500/700 technical data

Product dimensions		FRAMETEQ F-300	FRAMETEQ F-500	FRAMETEQ F-700
Plate cross-sections		38 x 75 to 80 x 200, optionally up to 300		38 x 75 to 200 x 300
Stud cross-sections		38 x 75 to 80 x 200, optionally up to 300		38 x 75 to 160 x 300
Min. frame work thickness (mm)		75		
Max. frame work thickness (mm)		200 (optionally up to 300)		300
Min. frame work height (m)		1.5		
Max. frame work height (m)		3.2 (optionally up to 3.8)		
Wall length		6/8/10/12		
Machine dimensions				
1	Length (m)	15.1/17.1/19.1/21.1		16.5/18.5/23/25.5
2	Width (m)	6.6 (optionally: 7.2)		7 (optionally: 7.6)
3	Height (m)	2.1		

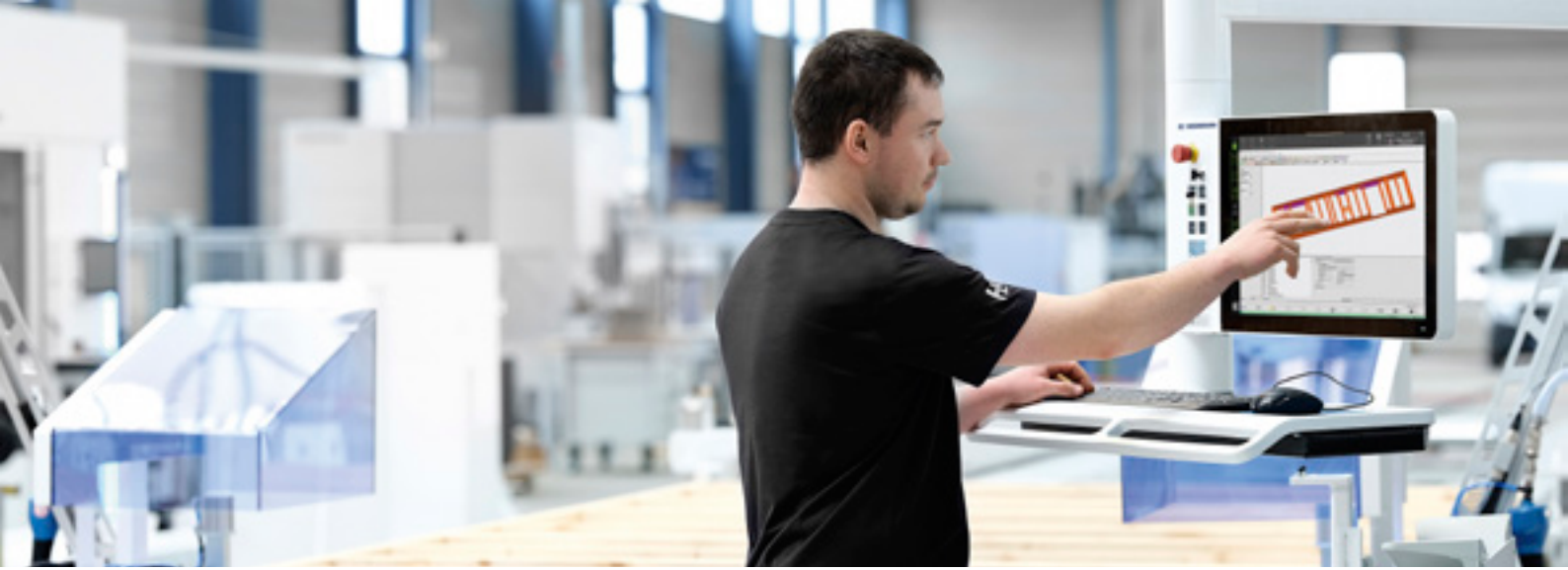
FRAMETEQ F-500



FRAMETEQ F-700







Software for the machine

wupWorks for the machine

wupWorks is the user interface for controlling your machine. The software automatically reads in, optimizes and processes the data records generated by the CAD. Thanks to the data interface, the machine is controlled independently of the CAD. In addition, the software enables you to graphically display workpieces and to control processing. You can assign machine functions, and travel paths and the use of tools are optimized.

wupViewer for the machine

With wupViewer, you can import data from the CAD program and visualize it graphically. With the clear 3D display, you can easily check the workpieces and machine processing.

wupEditor for the machine

wupEditor is used to transfer and graphically display data from the CAD program. In addition to wupViewer, not only can you import and graphically visualize the workpieces, but also edit them. This allows you to remain flexible and create and extend components directly on the machine. You can also display, adjust or delete processes.

MMR Basic and MMR Professional

With MMR you have absolute transparency: How many parts are produced on which machine? How busy are the machines and what is the proportion of waiting or malfunction times? This information can be very useful for effective operation of your production. MMR Basic is available on every machine and shows you selected key figures. The MMR Professional extension is available as an option and allows you to graphically evaluate the machine statuses and counters in the form of diagrams directly on the machine. In addition, the operator can add any possible causes of malfunction to the machine.

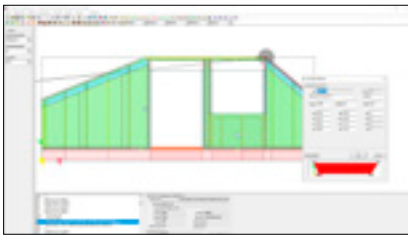


Software for the office



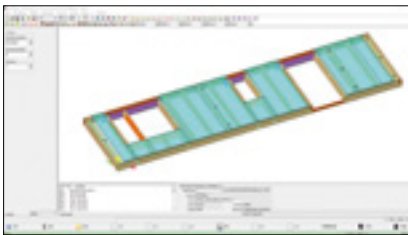
wupViewer Office

With wupViewer, you can import data from the CAD program and visualize it graphically. The software is used for checking workpieces and machine processing during work preparation. The software is available as a free download on our website.



wupEditor Office

wupEditor is used to transfer and graphically display data from the CAD program. As an extension to wupViewer, not only can you import and graphically visualize the workpieces, but also edit them. wupEditor for the office can be purchased as a floating license or as a single user license.



wupWorks 3 Office

With this software, you can read in and visualize WUP data records. This allows you to check whether components can be manufactured on the multifunction bridge during work preparation. wupWorks 3 can be purchased as a floating or single user license and is available for download as a trial version on our website.



wupWorks 4 Office

With wupWorks 4, you can read in and visualize WUP or BTL data records. During work preparation, you can thereby check whether components can be manufactured on your carpentry machine and optimize unprocessed parts for orders or further production. The software can be purchased as a floating license or as a single user license and is available for download as a trial version on our website.



MMR Office

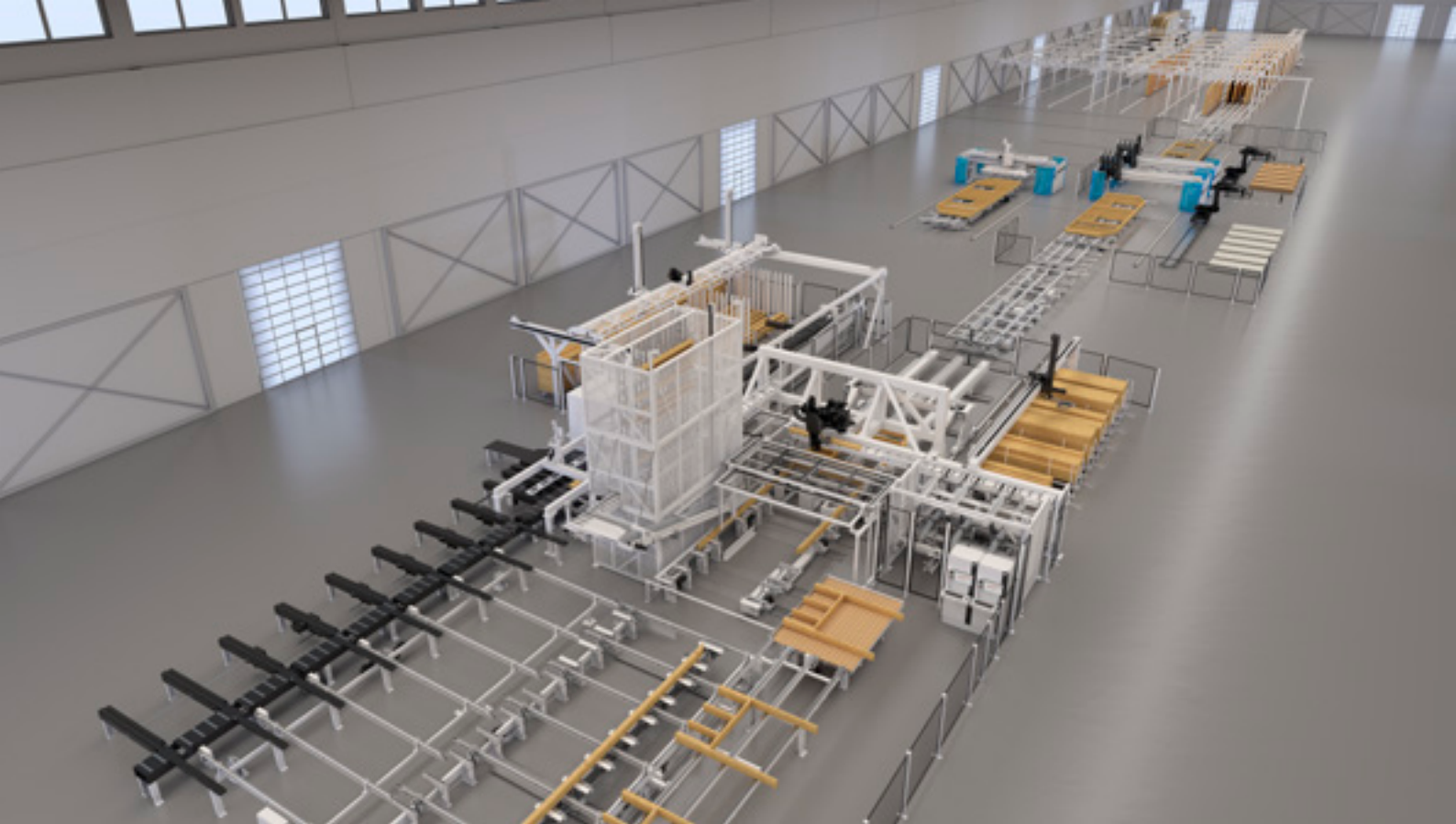
MMR Office copies the data from several machines to a separate database in the office. This has the advantage that the data can be viewed centrally there. The software enables you to make the machine data available for further evaluations and to connect machines from other manufacturers.



INFO

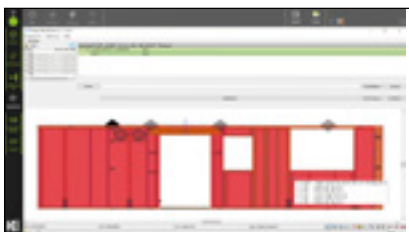
WEINMANN

Downloads and trial versions



Software for controlling production lines

MES control systems are used to plan, optimize and control complex production processes. With automated process and route planning, they create the basis for maintaining cycle times at all production stations and ensure optimum production sequences. In this way, you can increase production efficiency and the cost-effectiveness of your company. Thanks to an appropriate software interface, machines from WEINMANN can be integrated into various MES control systems.



wupClient:

The interface between the machine and the MES control system

wupClient enables communication between the production line control unit and the machine. The software is installed on the machine and requests the necessary data for production fully automatically. In combination with the production line control unit, wupClient controls the production flow centrally. The machines receive all required information at the right time and the elements are produced in the desired order. During production, the operator only has to give the start signal and supervise the production process.

RoboticsClient:

The interface between the robot, multifunction bridge and MES control system

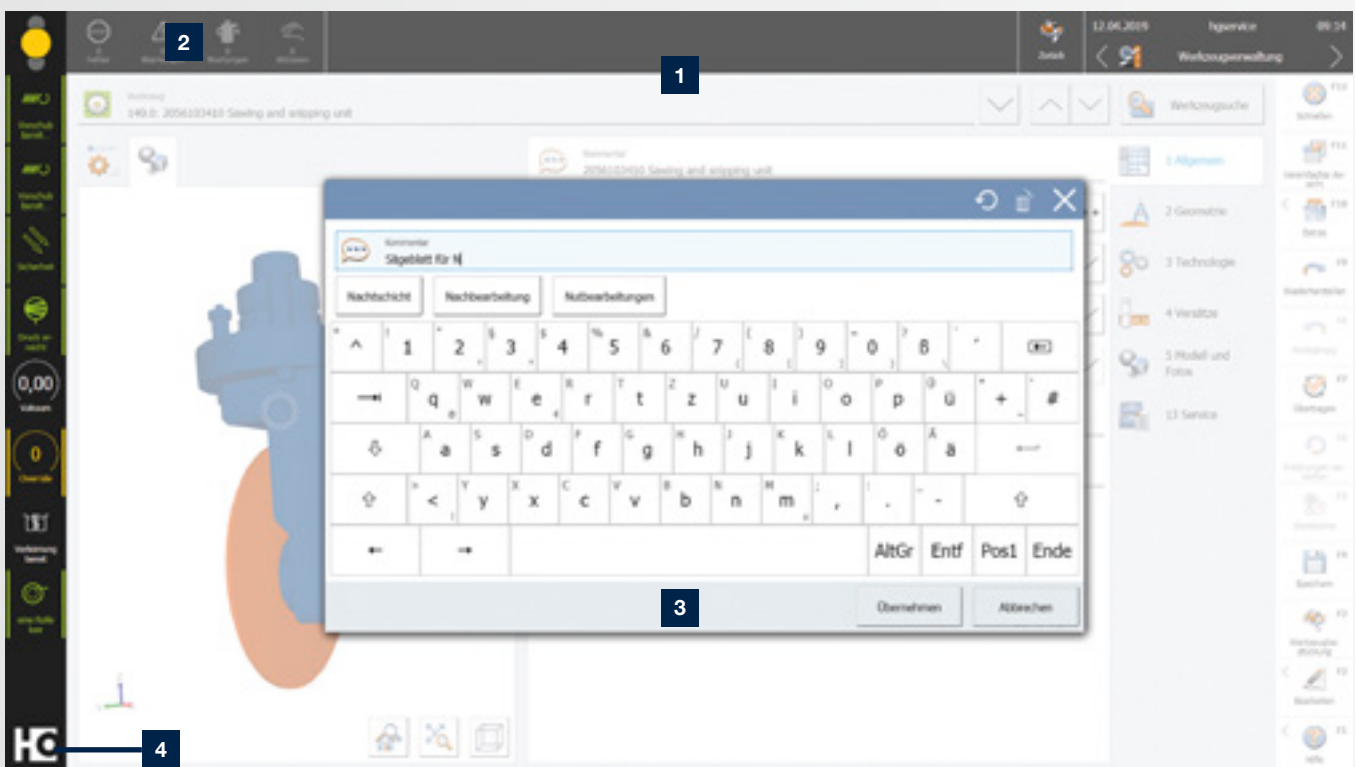
The RoboticsClient is responsible for the collaboration between a panel positioning robot and a multifunction bridge and its connection to a production control system. By automatically dividing the data record into safety zones, the bridge can begin to process the component position before the panels of a layer have been completely deposited by the robot. This allows both machines to work simultaneously and thereby save time. The safety zones can also be displayed in RoboticsClient. The client can also communicate with an MES system, which means that no user interaction with RoboticsClient is necessary for successful production. Evaluation of the machine statuses and counters in the form of diagrams directly on the machine. In addition, the operator can add any possible causes of malfunction to the machine.

The next generation of powerTouch: **powerTouch2**

Faster, more comfortable, clearer: Enjoy the benefits of our further improved powerTouch user interface. We have optimized our standardized operating concept and further adapted it to our customers' requirements. Controlling your HOMAG machines is now even faster and more intuitive. The new, modern design has a clear structure. The innovative touch operation allows you to achieve the desired result easily and comfortably.

With the new powerTouch generation, you can enter information at your machine even more quickly. Compared to the previous version, you can achieve a time saving of up to 30%. This is possible thanks to new features, such as automatic word completion, a pop-up keyboard that can be kept open and Windows-like functions, such as the selection of common actions directly via the start button.

Our successful powerTouch philosophy – **standardized, simple, ergonomic, evolutionary** – consistently further developed.



- 1 The powerTouch2 screen is clearly structured. You can see all the important information at a glance, but you still have all the details.
- 2 We have also improved the traffic light dialog further. You can now directly influence the machine's production readiness by selecting actions via the traffic light icon.
- 3 A functional pop-up keyboard that can be kept open, including automatic word completion for faster entries (when you enter the first letters, frequently used applications are proposed and you can select them directly).
- 4 Enhanced "Start" menu with additional information displayed (e.g. an indication of how many messages are currently pending or status bars that show the progress of the application) and direct access to actions (e.g. confirmation of actions without having to jump to the application).

VALYOU

Our Mission, Your Performance.

LIFE CYCLE SERVICES

Improved performance, more efficient processes, faster help, assurance of availability and smarter working

TEAM & COVERAGE

Largest global service network in the industry with over 1,350 personnel.

INSTALLATION & COMMISSIONING

For a smooth start, we only let proven experts manage your setup.

OPERATION & CONTROL

After teaching your personnel the intuitive control system, our clever apps help to make the operator's life much easier.

MAINTENANCE & SERVICING

To keep things running, we're happy to take a preventative approach. You decide how often and how intensively you want the support to be. As we all know, prevention is better than the cure.

eSHOP & ONLINE ADVANTAGE

A few clicks and it's fixed. Receive exclusive advantages by ordering spare parts online, depending on market availability. shop.homag.com

HOTLINE & READINESS

When there's an emergency, we're here. Direct by phone, digitally via app or video, or with on-site support. We are close to you with over 90 regional service organizations worldwide. With more than 35,000 spare parts immediately available, we can deliver 85% of your orders fast.

TRAINING & EDUCATION

With classroom, live online or eLearning training, we offer flexible options to help you get knowledge. We conduct over 4,000 customer training courses every year, and we even have our own training centers in 19 countries

MODERNIZATION & IMPROVEMENT

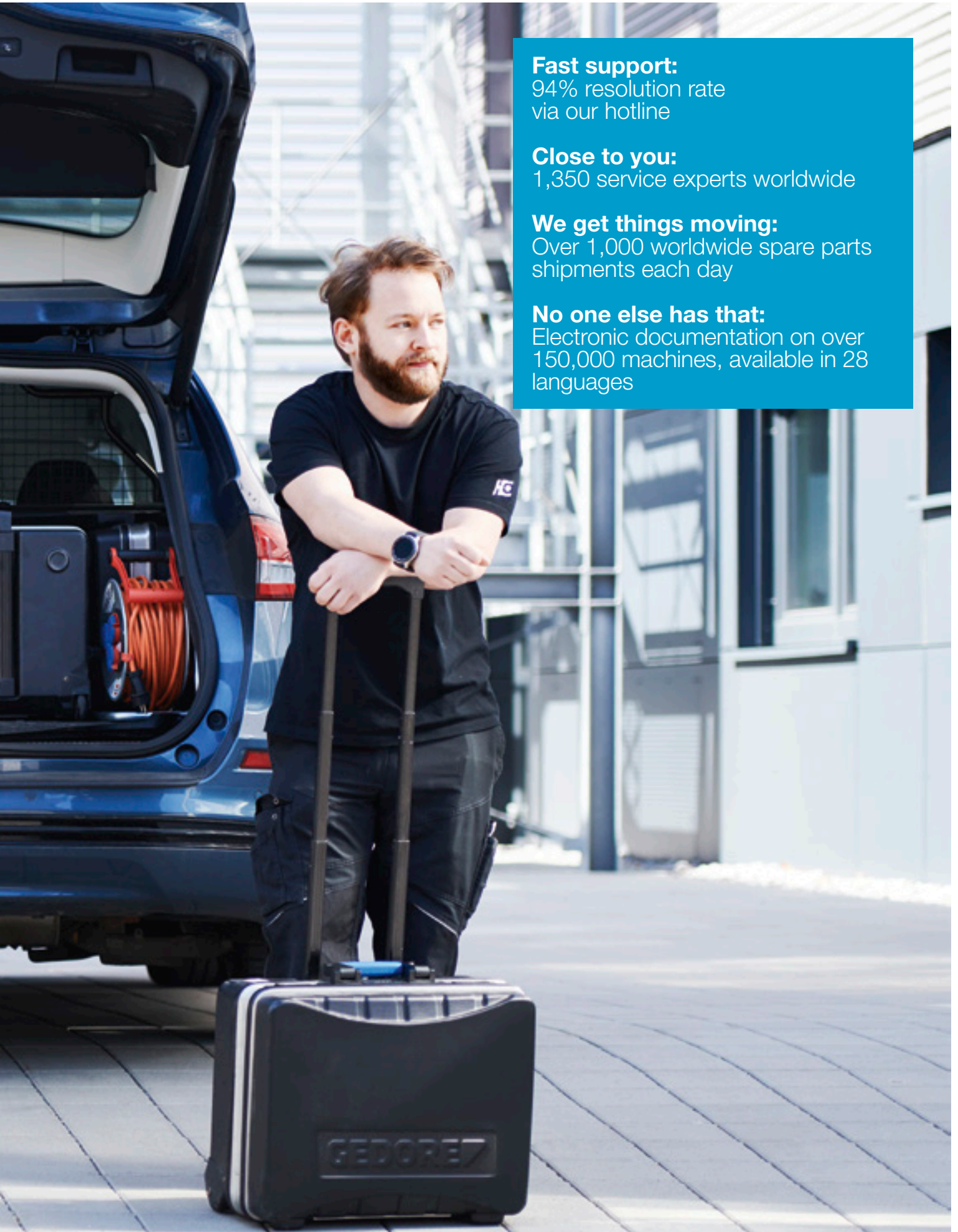
Our modernization program is tailored to your machines and processes. We can evaluate your data and situation and advise you on the next step.

ANALYSIS & SUSTAINABILITY

On request, we analyze all your processes with proven tools and procedures (LeanSixSigma). We have a large, certified team of experts for this purpose.

FINANCING & CONSULTING

We offer you tailor-made financing concepts worldwide. With more than 60 years of experience and a close partner network of prominent banks and insurance companies to help us to find the right solution for you, we're always transparent and reliable in processing.



Fast support:
94% resolution rate
via our hotline

Close to you:
1,350 service experts worldwide

We get things moving:
Over 1,000 worldwide spare parts
shipments each day

No one else has that:
Electronic documentation on over
150,000 machines, available in 28
languages



WEINMANN Holzbausystemtechnik GmbH

info@weinmann-partner.de
www.homag.com/weinmann

YOUR SOLUTION